



PT980

Portable Data Collector / PDA



The PT980 is a ergonomic portable data terminal / PDA for various applications such as stock control, ordering, access control / ticket verification and more.

Product Features

- **Data Acquisition**

Through a 1D Laser, 1D/2D image engine or a RFID engine (also as an optional addition). The CMOS engine is even capable to read from mobile phone displays!

- **Applicable Adaptation**

An IP54 rating and drop spec of 1.2 meter fall onto concrete secures its' premium quality, also making it dust -and water proof.

- **Wireless Communication**

Supports GPRS/CDMA for a long-range communication, Supports Bluetooth and 802.11b/g for a shorter-range communication.

- **Data Port**

Supports USB slave, host, RS-232, IrDA connector & voice data communication.

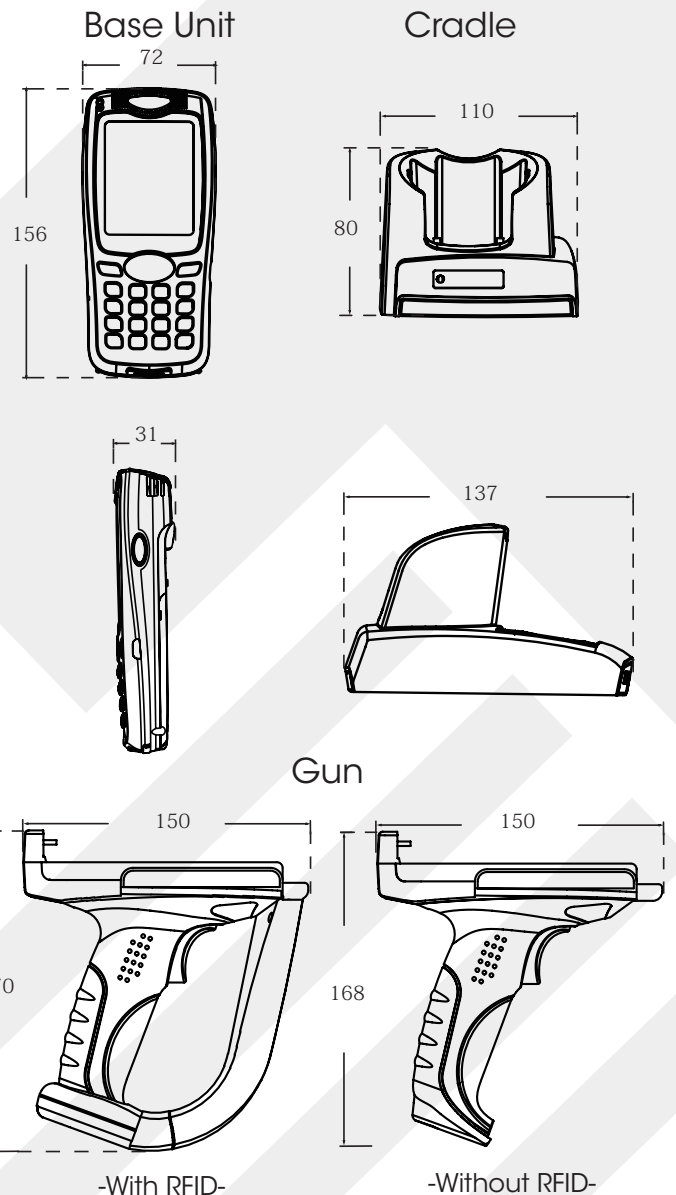
- **Data Storage**

Built-in Mini SD card-slot, or data storage via USB Host connector.

- **Second Development Accessories**

The integrated OS is Windows CE 6.0, making it easy to implement your own application.

Dimensions (mm)



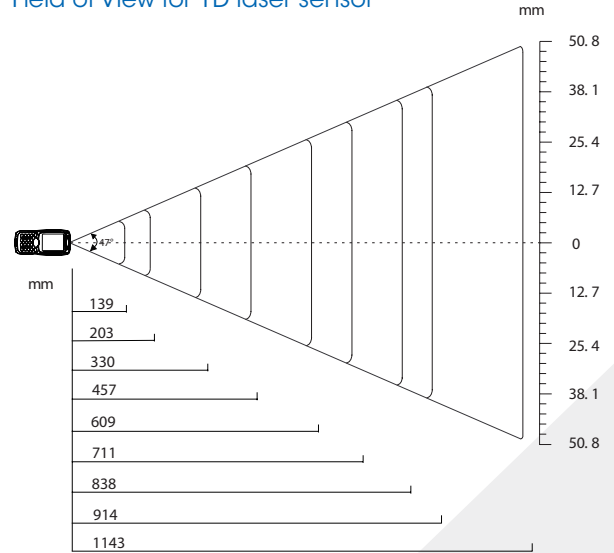
Specifications

Specification	NLS-PT980	NLS-PT982	NLS-PT983	NLS-PT981
CPU	XScale PXA 270, 312MHz			
Memory	SDRAM: 64 MB			
	NAND Flash: 128MB, expandable to 256MB			
	Support Minii SD up to 2GB			
Display	262K color TFT touch panel, 2.8inches, 240*320 resolution			
Keyboard	25 keys			
MTBF	5000 hours			
Inter face	RS232	9.6~115.2kbps		
	USB	Host & Slave1.1		
Option	IC Card	ISO7816, support SAM card		
	GPRS	GSM 850 / 900 / 1800 / 1900 MHz, 85.4Kbps(Max)		
	CDMA	800 MHz, 153.6Kbps (Max)		
	WiFi	IEEE 802.11g, 2.4GHz, DSSS, 14dBm, WEP 64/128		
Reading Modes	Laser	Image	CCD	RFID
Symbologies	PDF417, QR Code, Data Matrix, Aztec, Maxicode, Chinese-Sensible Code, LP Code, etc.			Mifare(ISO 14443A) TI(ISO 15693) EM(125K)
	Code128, EAN-13, EAN-8, Code39, UPC-A, UPC-E, Codabar, Interleaved 2 of 5, China post 25, ISBN/ISSN, Code93, etc.			
Precision	≥6 mil	≥3 mil	≥4 mil	
Power	Battery	3.7V Li-battery, 2400mAH		
	Standby Time	~150hours		
	Scan Time	>5000 times		
	Adapter	Output: DC5V, 2A; Input: AC100~240V, 50~60HZ		
	Consumption	10W (Max), 3mW (Idle)		
Environment	Operat. Temp.	-5°C ~ + 45°C		
	Storage Temp.	-20°C ~ + 55°C		
	Operate Humidity	5% - 90% (no condensation)		
	Storage Humidity	5% - 95% (no condensation)		
Drop	1.2 m drops to concrete			
Weight	250g			
Dimensions	156 mm(L) * 72 (W)mm * 31 (H) mm			
Operating System	WinCE.net 6.0 (Linux optional)			
Certificates	FCC Part15 Class B, CE EMC Class B, CCC			

Decode Zones



Field of View for 1D laser sensor

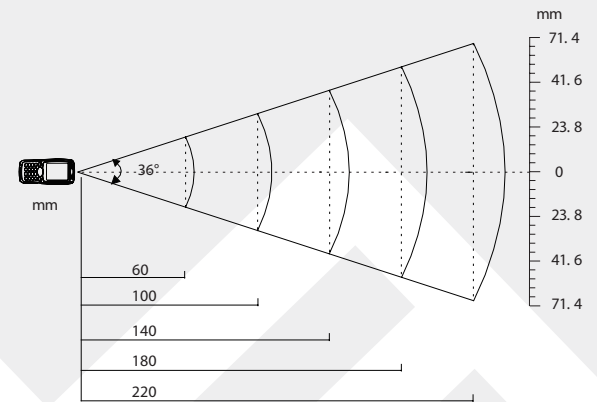


Decode Distances 1D laser sensor

Barcode	Density(mil)	Near(mm)	Far(mm)
Code 39	4.0	25.0	139.7
Code 39	5.0	31.8	203.2
Code 39	7.5	38.1	330.2
Code 39	10	38.1	457.2
100% UPC	13	38.1	609.6
Code 39	15	38.1	711.2
Code 39	20	44.5	838.2
Code 39	40	X	360.0
Code 39	55	X	450.0

Notes: X - Dependent on width of bar code.

Field of View for 2D Image Sensor



Decode Distances for 2D Image Sensor

Barcode	Density(mil)	Near(mm)	Far(mm)
Code 39	5	55	115
Code 39	10	30	215
PDF417	5	50	105
PDF417	10	30	215
QR Code	10	25	135
QR Code	15	25	210
Data Matrix	10	25	150
Data Matrix	15	20	220



Model	Configuration								Note
	Laser	Image	RFID	GPRS	CDMA	WiFi	BT	IC	
PT980N									
PT980	√								1D laser
PT980RG	√			√					1D laser + GPRS
PT980RC	√				√				1D laser + CDMA
PT980RW	√					√			1D laser + WiFi
PT980RGS	√			√				√	1D laser + GPRS + IC
PT980RGWB	√			√		√	√		1D laser + GPRS + WiFi+BlueTooth
PT980RCWB	√				√	√	√		1D laser + CDMA+ WiFi+BlueTooth
PT982		√							2D Image
PT982RG		√		√					2D Image + GPRS
PT982RC		√			√				2D Image + CDMA
PT982RW		√				√			2D Image +WiFi
PT982RGS		√		√				√	2D Image + GPRS + IC
PT982RGWB		√		√		√	√		2D Image + GPRS + WiFi+BlueTooth
PT981			√						EM, T1 or M1 RFID
PT981RG			√	√					RFID + GPRS

Accessories

Cradle	
CD980	The Cradle for PT980. It could recharge PT980 and transfer data between PT980 and other device by RS232 or USB (Host and Slave).
GUN980	Gun Grip for the PT980/PT982.
GUN981	RFID Gun Grip for the PT980/PT982.
Flex Cable	
CBL980	This cable connect to the RS232 & USB Host data port of PT980 and RS232 port of CD980. With a standard USB Host port to accept USB slave device. This port could not work while this cable connected to CD980 RS232 port. With a standard female RS232 port to connect to standard male RS232 port. With a power port to accept power adapter supply.
CBL980R	This cable connect to the RS232 & USB Host data port of PT980 and RS232 port of CD980. With a standard female RS232 port to connect to standard male RS232 port. With a power port to accept power adapter supply.
CBL980U	This cable connect to the RS232 & USB Host data port of PT980. With a standard USB Host port to accept USB slave device.
CBL980MU	This cable connect to the mini USB Slave port of PT980 and mini USB Slave port of CD980. With a standard USB Slave port to connect to standard USB Host port.
Power	
ADP50	The power adapter for PT980 and CD980. Output: DC5V, 2A; Input: AC100~240V, 50~60HZ. It can not plug to PT980 directly, it must connect to CBL980 or CBL980R. It can plug to CD980 directly.
BTY980	The main Lithium-ion rechargeable battery for PT980.
Leather Case	
PRC980	The leather case shaped to hold PT980.