



FM208

Fixed 1D/2D Imager



A fixed type rugged level 1D/2D barcode scanner for all kinds of applications.

Product Features

- **Applicable Adaptation**

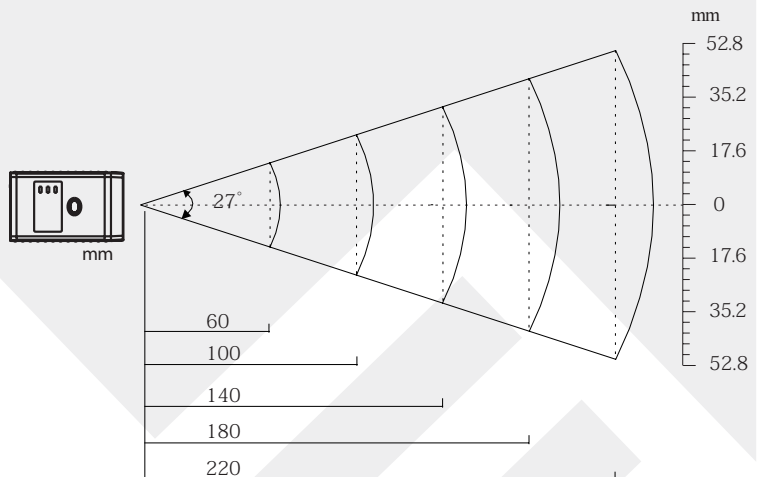
Industrial design with IP54 rating for a dust-proof & water-proof functionality. Suitable for all kinds of 1D and 2D scanning needs such as integration in machinery, kiosks, along production lines, etc.

- **Advanced Technology**

Includes core-technology **UIMG™**, which is independently designed and manufactured by Newland Auto-ID. **UIMG™** technology includes the optical, CMOS, digitizer, decoder, image processing & embedded systems. The scanner supports all global standard 1D barcode symbologies. Its' reading performance reaches and exceeds global standards. By using the accessories provided, the user can ideally set up the scanner to its user environment.

Decode Zones

- **Field of View**



- **Decode Distances**

Barcode	Density(mil)	Near(mm)	Far(mm)
Code 39	5	65	105
Code 39	10	40	205
PDF417	5	60	95
PDF417	10	40	205
QR Code	10	35	125
QR Code	15	35	200
Data Matrix	10	35	140
Data Matrix	15	30	210



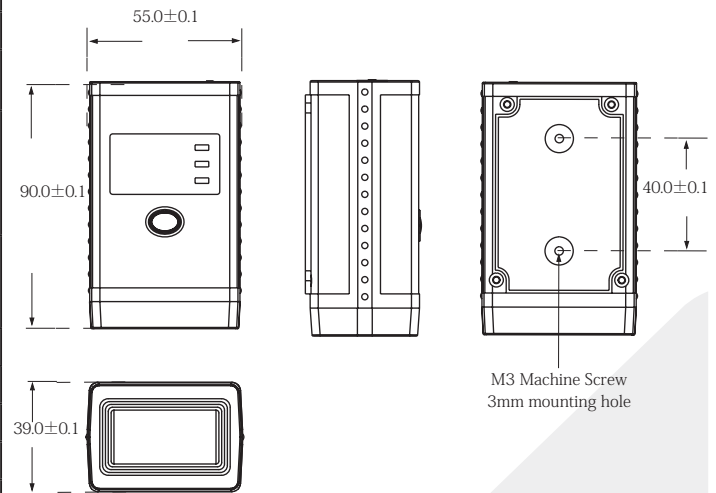
FM208 Specifications

Performance		
Image Sensor	CMOS	
Resolving	752 * 480	
Interface	RS232 / HID-KBW / UDP / USB COM Port Emulation / HID-POS	
Symbolologies	2D PDF417, QR Code (Model 1/2), DataMatrix(ECC200, ECC000, 050, 080, 100, 140), Aztec, Chinese-Sensible Code, Maxicode, LP Code.	
	1D Code128, EAN-13, EAN-8, Code39, UPC-A, UPC-E, Codabar, China post 25, Interleaved 2 of 5, ISBN/ISSN, Code 93, etc	
Precision	≥ 3mil	
Light Source	LED(630 nm ± 10 nm)	
Light Intensity	1000 LUX (130 mm)	
Depth of Scan Field	45mm~ 450 mm	
Print Contrast Signal	≥ 25%	
Roll	360°	
Pitch	45°	
Yaw	45°	
Illumination	0 ~ 100,000 LUX	
Mechanical/ Electrical		
Power Consumption	1.8W	
Voltage	DC 3.3 V	
Current	Max	400 mA
	Oper.	300 mA
	Idle	200 mA
Weight	250g	
Environment		
Operate Temperature	-5°C - +45°C	
Storage Temperature	-40°C - +60°C	
Humidity	5% - 95% (non-condensing)	
Certificates	FCC Part15 Class B, CE EMC Class B	

Accessories

Flex Cable	
CBL208R	This cable connect to the data port of FM208 with a 9-PIN male RS232 port. With a standard female RS232 port to connect to standard male RS232 port. With a power port to accept power adapter supply.
CBL208U	This cable connect to the data port of FM208 with a male USB-A port. With a standard USB Slave port to connect to standard USB Host port.
Power	
ADP50	The power adapter for FM208 by the CBL208R. Output: DC5V, 2A; Input: AC100~240V, 50~60HZ.

Dimensions (mm)



Applicable Accessories

- **Quick Set**

Software tool in order to configure 2D barcode scanners based on the Microsoft Windows. Quick set connects the scanner engine through USB or RS-232, users are able to modify the scanner engine parameters in real-time.

- **User Manual / Programming Guide**

A manual to explain the user the basics of the scanner and how to configure it. Furthermore, it enables the user to set the scanner to the specific wishes regarding scanning modes, readable barcodes and barcode formats.