



EM3000

1D/2D CMOS Scan Engine



Designed for OEM applications, this high performance CMOS engine can easily be integrated into various solutions such as kiosks, ticketing machines, PDA's and many more.

Product Features

- **Ease of integration**

Compact (smaller than a paperclip) and easy to integrate design, image capture device with decoder on one board. The small form factor enables easy integration into various solutions.

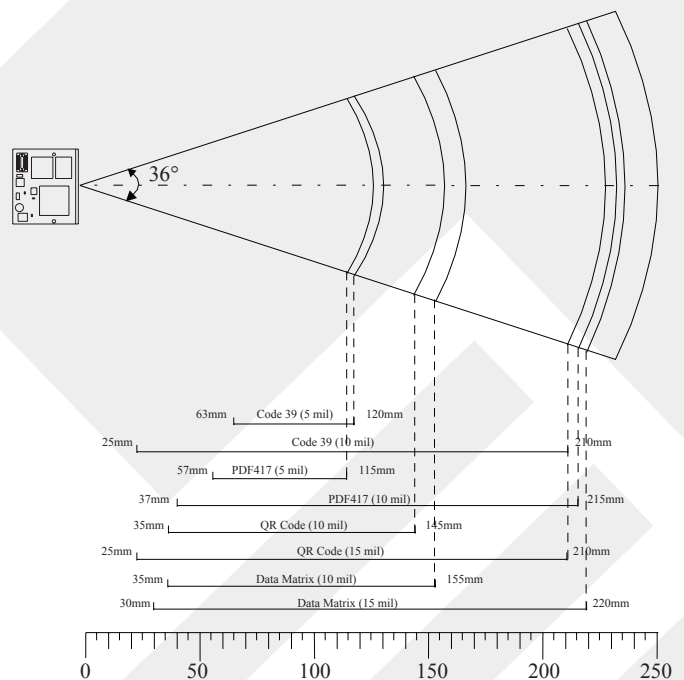
- **Advanced Technology**

Includes core-technology **UIMG™**, which is independently designed and manufactured by Newland Auto-ID. **UIMG™** technology includes the optical, CMOS, digitizer, decoder, image processing & embedded systems. The scanner supports all global standard 1D barcode symbologies. Its' reading performance reaches and exceeds global standards. By using the accessories provided, the user can ideally set up the scanner to its user environment.

- **Intelligent Focus**

Advanced optical focusing system which senses the ambient environment and adjusts the optical automatically for a quick reading response.

Decode Zones





EM3000 Specifications

Performance

Image Sensor	CMOS
Resolving	752 * 480
Interface	RS232
Symbologies	2D PDF417, QR Code(Model 1/2), DataMatrix(ECC200, ECC000, 050, 080, 100,140), Aztec, Maxicode, LP Code, Chinese-Sensible Code
	1D Code128, EAN-13, EAN-8, Code39, UPC-A, UPC-E, Codabar, China post 25, Interleaved 2 of 5, ISBN/ISSN, Code 93, etc.
Precision	≥ 3mil
Light Source	LED(622 nm - 628 nm)
Light Intensity	330 LUX (130 mm)
Depth of Scan Field	20 mm ~ 450 mm
PCS	≥ 25%
Roll	360°
Pitch	45°
Yaw	45°
Illumination	0 ~ 100,000 LUX

Mechanical/ Electrical

Power Consumption	1.7 W
Voltage	DC 3.3 V
Current	Max 350 mA
	Working 300 mA
	Idle 50 mA
Weight	18g

Environment

Operating Temperature	-5°C - +45°C
Storage Temperature	-40°C - +60°C
Humidity	5% - 95% (non-condensing)

Configuration Software

QuickSet (used with EVK3000)

Certificates

FCC Part15 Class B, CE EMC Class B

Accessories

Evaluation Kit

EVK3000 The Evaluation Kit for EM3000, with trigger, beep functions and USB, RS232 Interfaces.

Flex Cable

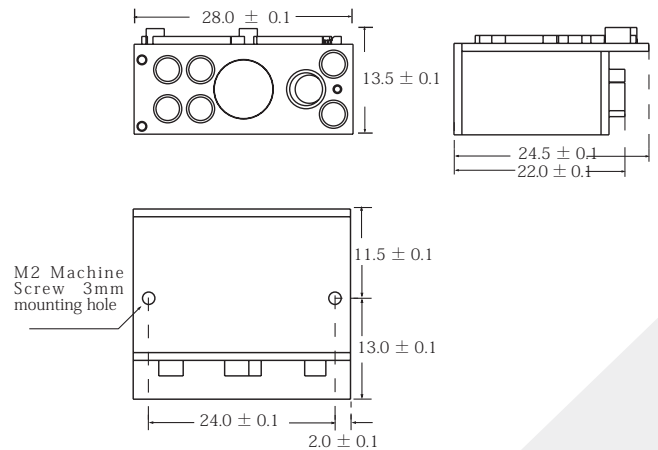
CBL3000R This cable connect to the RS232 port of EVK3000. With a standard female RS232 port to connect to standard male RS232 port. With a power port to accept power adapter supply.

CBL3000U This cable connect to the USB Slave port of EM3000 with a USB-B male port. With a standard USB Slave port to connect to standard USB Host port.

Power

ADP50 The power adapter for EVK3000 by the CBL3000R. Output: DC5V, 2A; Input: AC100~240V, 50~60HZ.

Dimensions (mm)



Applicable Accessories

• Integration Manual / Programming Guide

A manual to explain the user the basics of the scanner, how to integrate it and how to configure it. Furthermore, it enables the user to set the scanner to the specific wishes regarding scanning modes, readable barcodes and barcode formats.